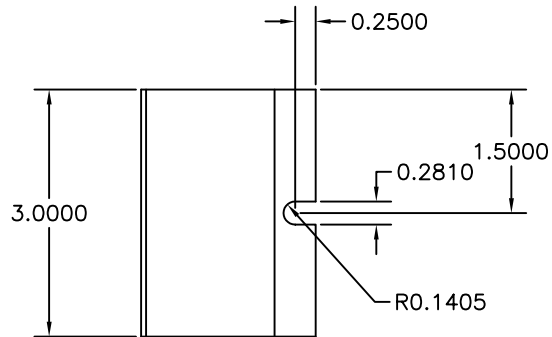


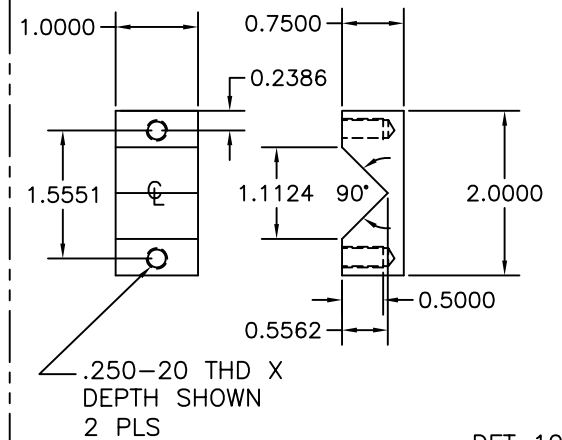
DET 1
1 REQD

DEVELOPED BLANK SIZE
PRIOR TO FORMING:
.06 X 3.00 X 3.539

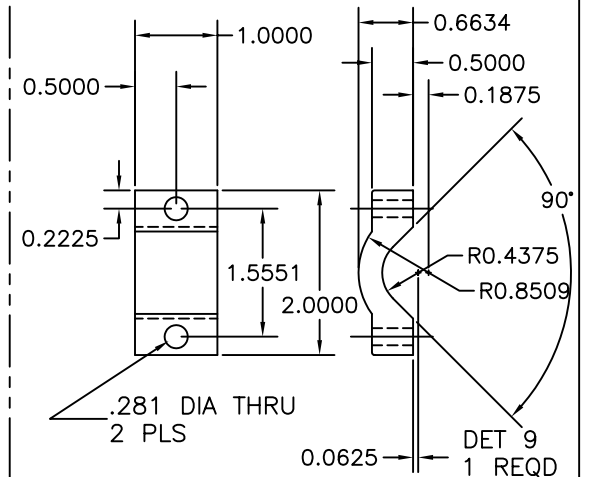


DET 5
1 REQD

DEVELOPED BLANK SIZE
PRIOR TO FORMING:
.06 X 3.00 X 3.582



DET 10
1 REQD



DET 9
1 REQD