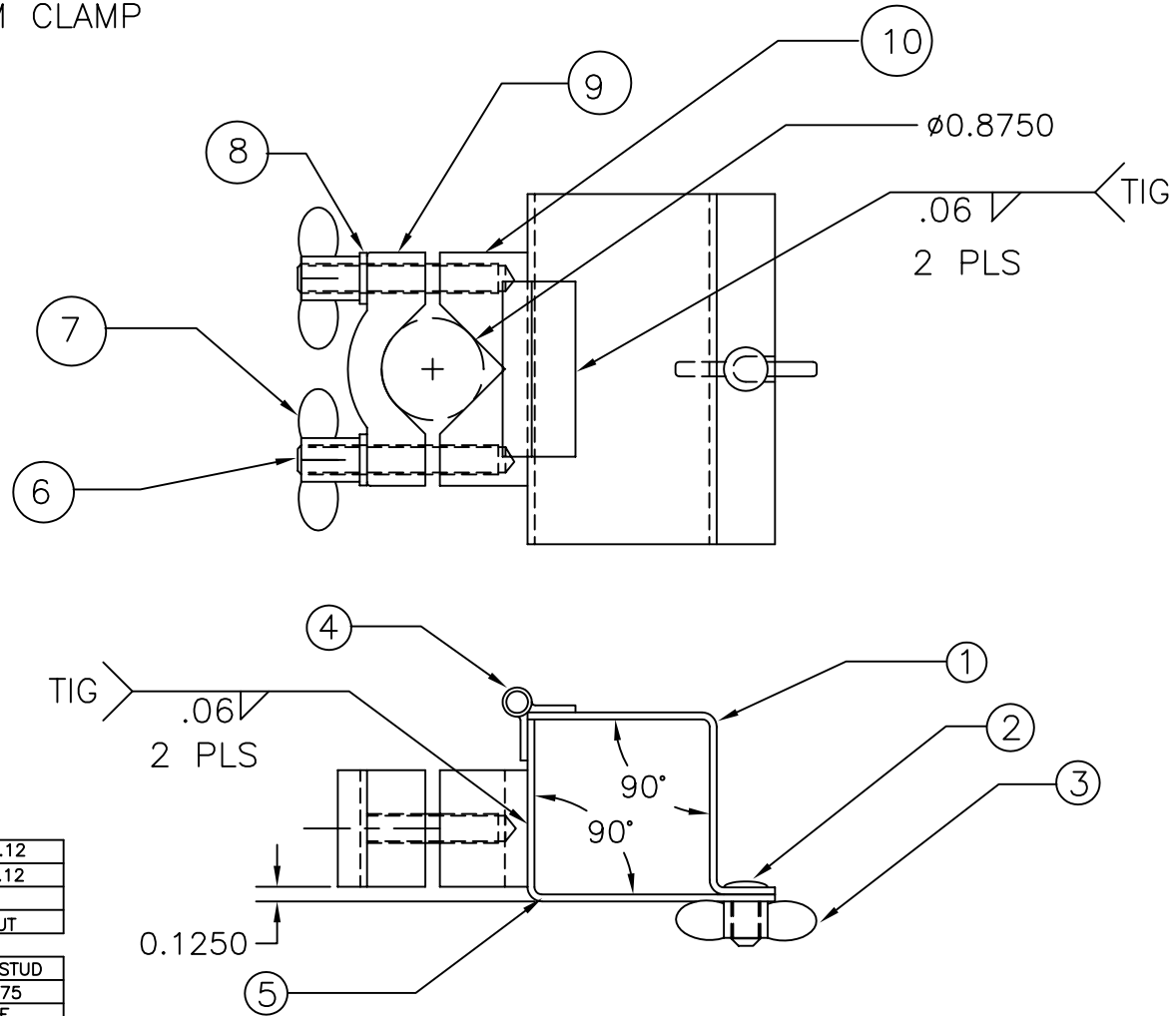


TOM & BOOM ARM CLAMP



10	1	MS	.75 X 1.00 X 2.12
9	1	MS	.75 X 1.00 X 2.12
8	1	STD	.25 WASHER
7	1	STD	1/4-20 WING NUT

6	1	STD	1/4-20 X 1.75 STUD
5	1	MS	.06 X 3.00 X 3.75
4	1	STD	.50 X 1.50 HINGE
3	1	STD	1/4-20 WING NUT
2	1	STD	1/4-20 X .50
1	1	MS	.06 X 3.00 X 3.75
DET	QTY	MTL	DESCRIPTION

CARRAGE BOLT-MODIFY

SUBSTITUTIONS MAY BE USED WITH DETAILS 2, 3, 6, 7, 8 WITH STANDARD DRUM BLOTS & NUTS IN METRIC SIZES.